

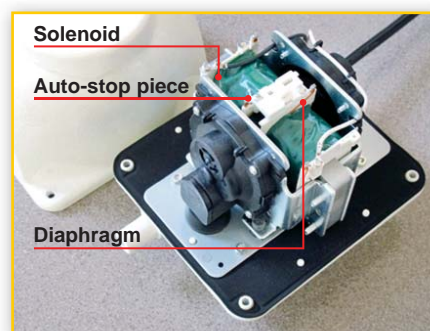
FUJIMAC AIR PUMP



Air Flow Volume :
40 ~ 300 L/min

Strength of FujiMAC Air Pump

- **FujiMAC Air pump has a simple structure.**
 - Oil-less and proven strong durability.
- **Easy and simple for maintenance.**
 - Repair parts available ex-stock.
 - 2 years warranty by manufacturer.
- **Silent operation.**
 - Established noise suppression mechanism ensure silent operation.

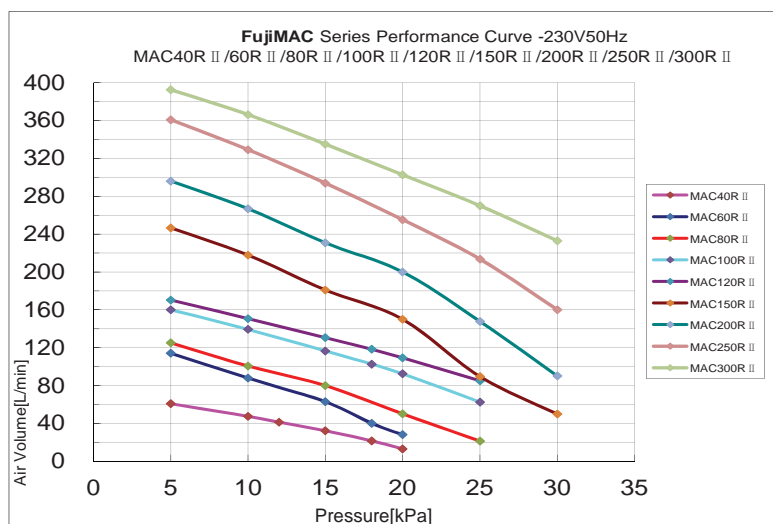


Features / Benefits

- **Long Life operation**
 - MAC Air Pumps have been tested for endurance providing the durability of its components; thus ensure long operating life.
- **Energy Efficient**
 - MAC Air Pumps are the most efficient electric blower that consume low power; thus save electricity cost.
- **Easy Maintenance**
 - No lubricant is needed. The diaphragm assembly can be easily replaced. Therefore low & easy maintenance cost.



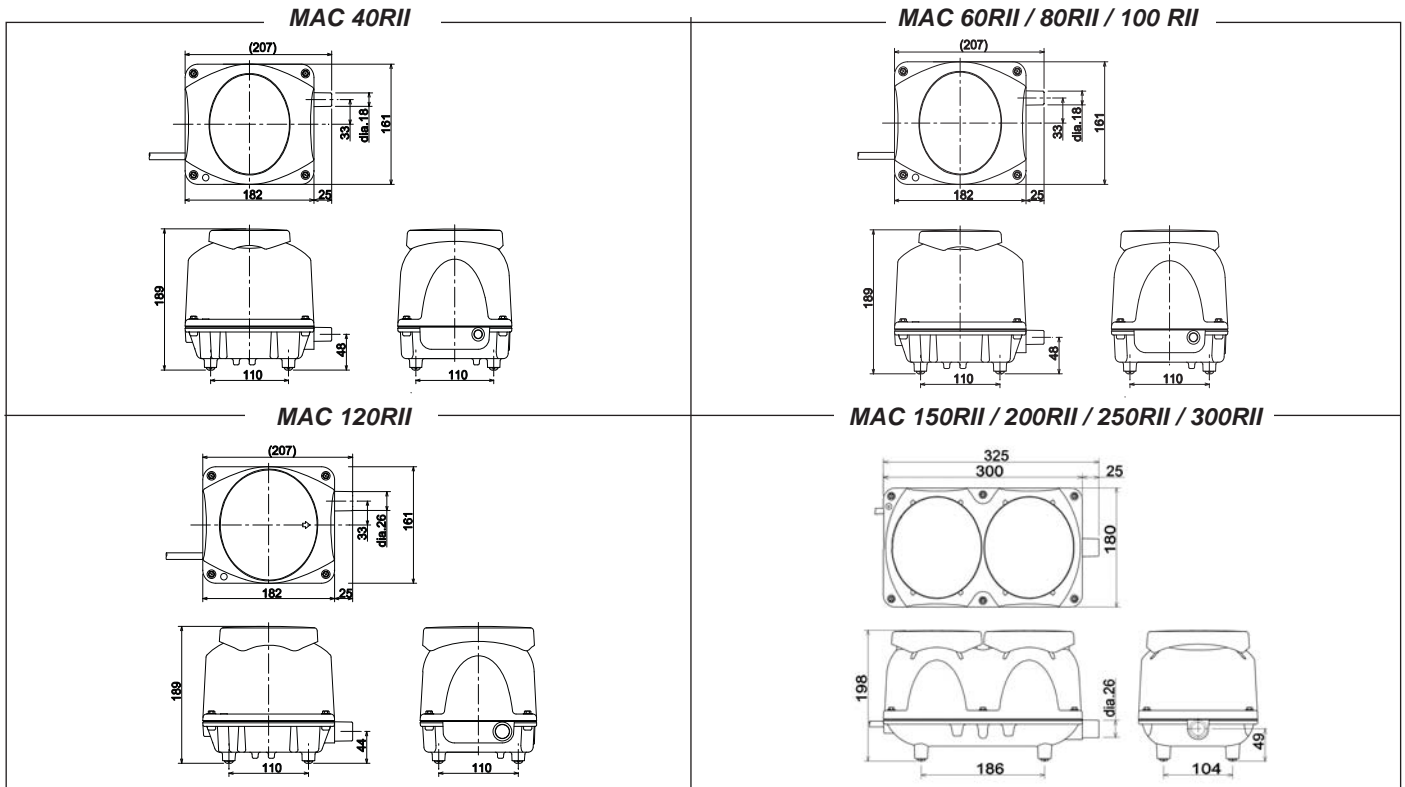
Performance curve



Highly suitable for koi pond usage.

Specifications

Model	MAC40RII	MAC60RII	MAC80RII	MAC100RII	MAC120RII	MAC150RII	MAC200RII	MAC250RII	MAC300RII
Rate Voltage	230 ~ 240V								
Air Flow	40L/min	60L/min	80L/min	100L/min	120L/min	150L/min	200L/min	250L/min	300L/min
Pressure	12kPa	15kPa		18kPa		20kPa			
Outlet Pipe	13mm (external dia. 18mm)				20mm (external dia. 26mm)				
Weight	5.0kg					9.0kg			
Power Consumption	27W	35W	49W	68W	86W	100W	140W	186W	250W
Noise level	32db	35db	36db	39db		41db	43db	48db	50db

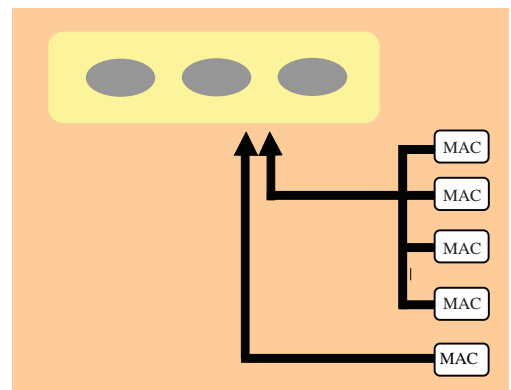


Typical Installation Example - by Cluster Method (Large installation)

- Multiple units of MAC Air pump being used.
- Easy and simple for maintenance.
- Low energy rate.
- Good for sewage treatment or commercial usage.



Multiple of MAC Air Pump



* All specifications are subject to change without prior notice.

Manufactured by :



FUJI CLEAN CO., LTD. JAPAN

Agent :

PUMPERA Sdn Bhd

26 & 28, Jalan Kapar 27/89, Megah Industrial Park,
Seksyen 27, 40400 Shah Alam, Selangor, Malaysia.
Tel : 03-5192 2828 Fax : 03-5192 6822

Email : sales@pumpera.com.my
Website : www.pumpera.com.my

Distributed by :

