

AUTOMATIC PUMP FOR SHALLOW WELL

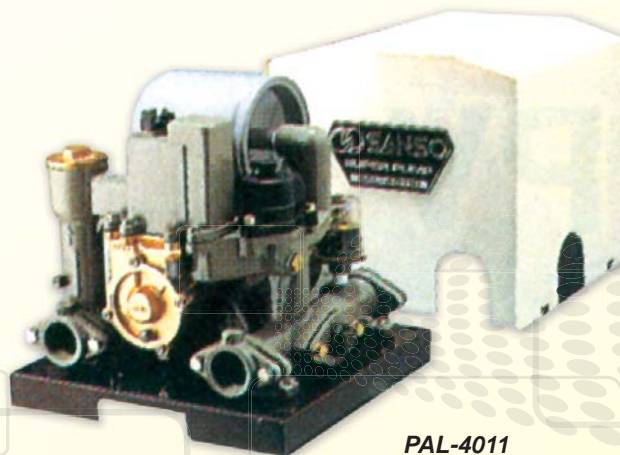
PAL

APPLICATIONS

- Shallow well
- Reservoir
- Booster etc.

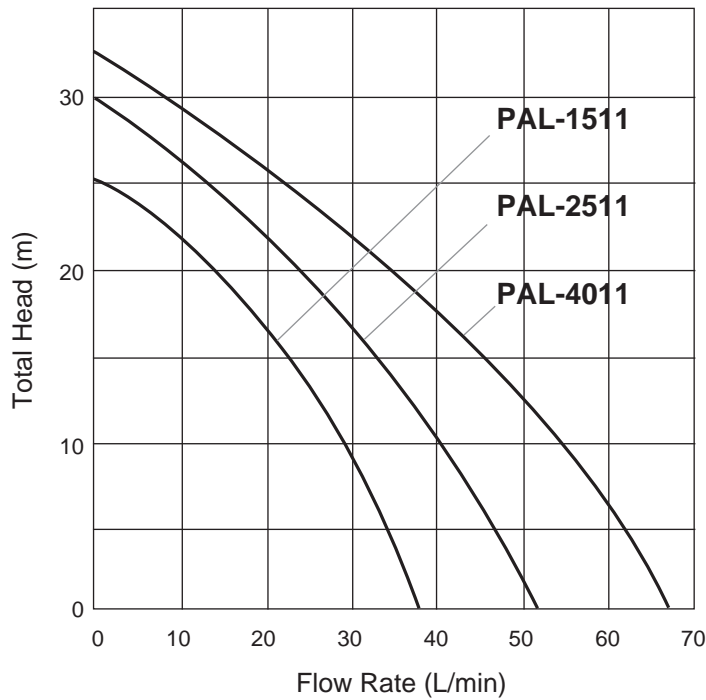
CHARACTERISTICS

- Is obtain the constant discharge pressure as the frequency of starting and stopping is lowered by the combination work of the newly developed peripheral pump and flow switch.
- Is remarkably lowered a offensive metallic operation sound which the peripheral pump has a offensive sound to the ear.
- Is 9 meter for the max. suction head and self-priming time is shortened.
- Can obtained the sanitary water by adoption of rust-proof materials such as bronze, fibre of Noyle & Duracon, stainless steel for the main parts and water does not contact air direct by adoption of an accumulator.
- Can be used for shallow well (normal suction) or for reservoir (back pressure) by adoption of pressure switch the setting value for shallow well use or for reservoir use can be easily changed.
- Can be selected whichever preferable at free with you by adoption of the discharge pipe of three outlets.



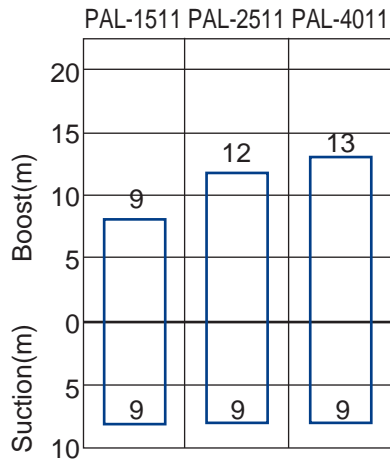
PAL-4011

PERFORMANCE CURVE

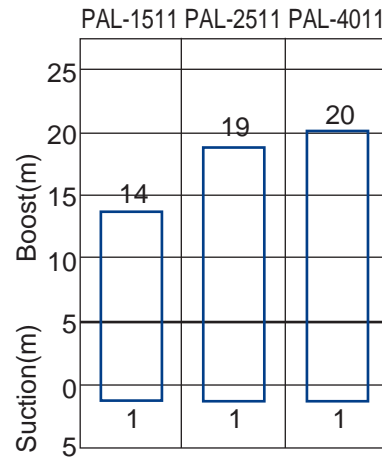


PERFORMANCE

For shallow well



For receiving tank

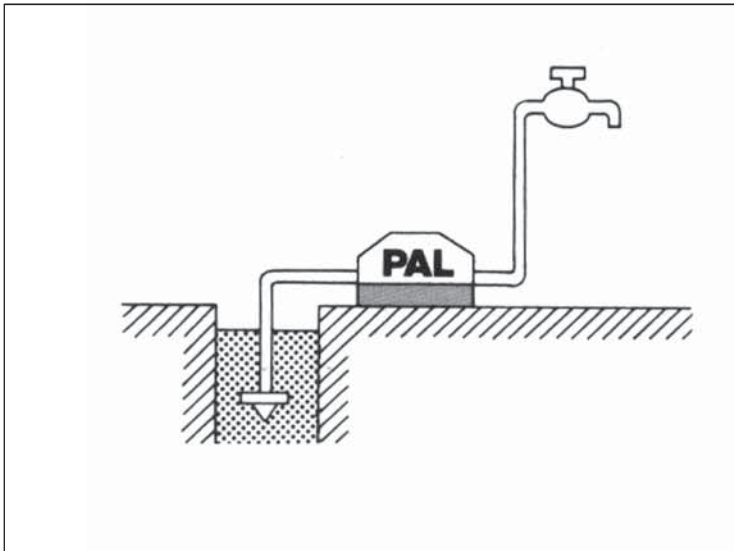


SPECIFICATIONS

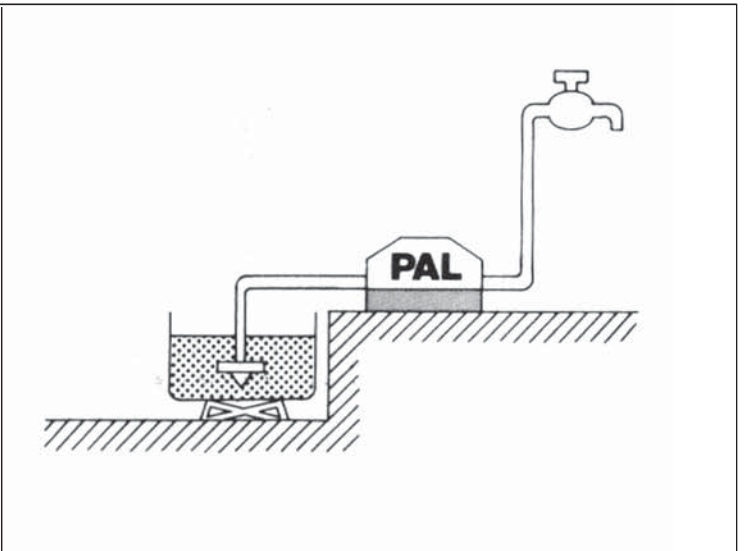
Item	Rated Output	Diameter	Capacity at total 12m head	For Shallow Well				For Receiving Tank			
				Suction Head	Discharge Head	Pressure Switch	Stop Flow	Suction Head	Discharge Head	Pressure Switch	Stop Flow
				m	m	Kgf/cm ²	L/min	m	m	Kgf/cm ²	L/min
PAL-1511	150	25	24	9	9	1.0 to 1.3	1	1	14	1.5 to 1.9	1
PAL-2511	250	25	37	9	12	1.3 to 1.7	1	1	19	2.0 to 2.4	1
PAL-4011	400	32	50	9	13	1.4 to 1.8	1	1	20	2.1 to 2.5	1

Note (1) 240V for single phase (2) 415V for 3 phases (3) Can be installed outside. (4) Voltage can be adjusted to customer's requirement.

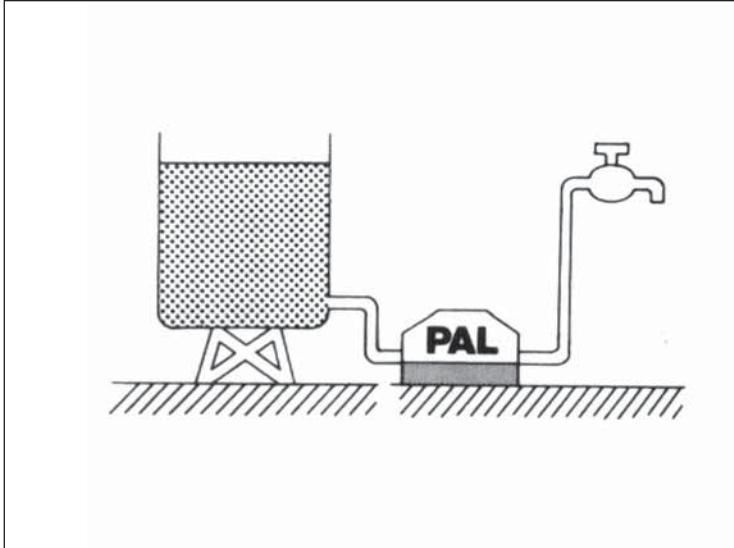
SUITABLE FOR



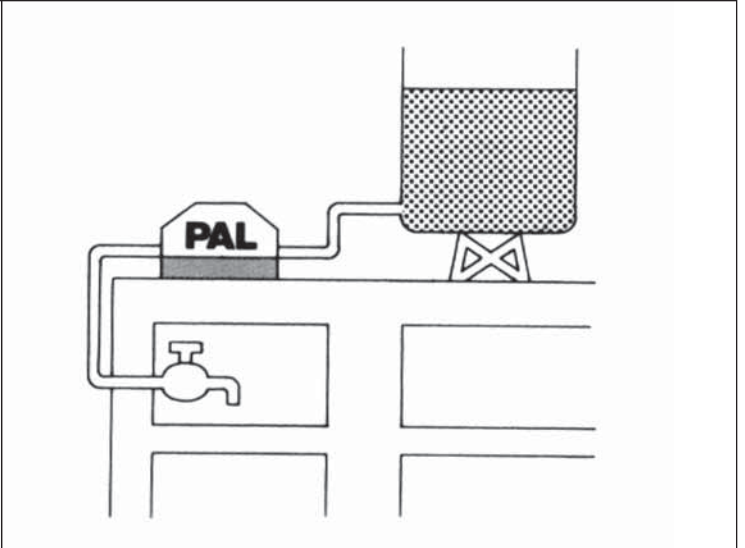
Shallow well



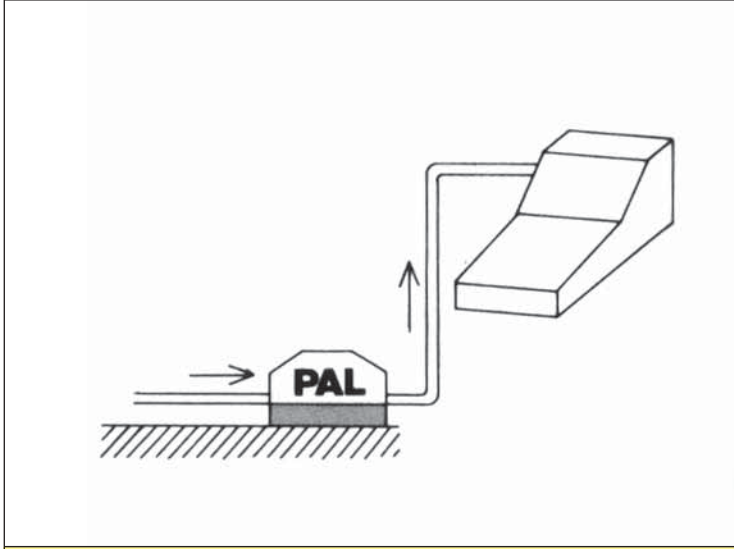
Reservoir (suction)



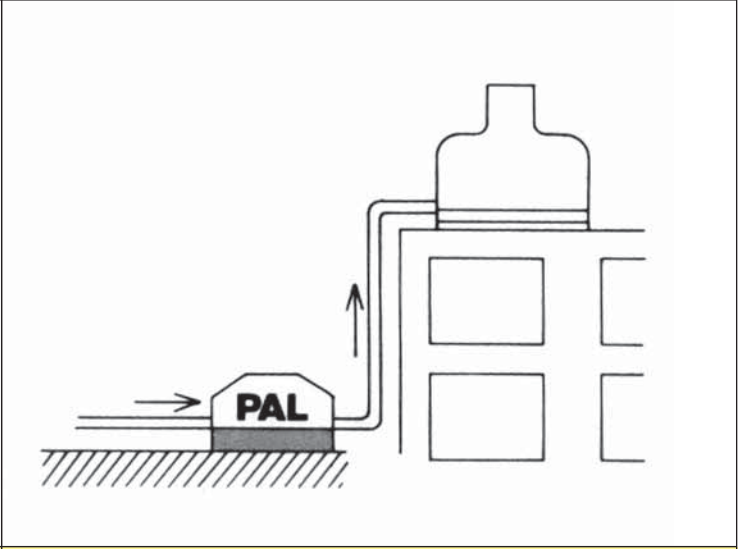
Reservoir (back suction)



Booster

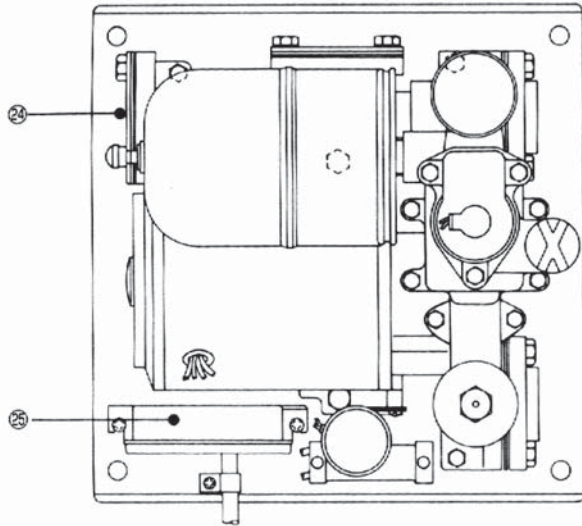


Water supply for solar heater

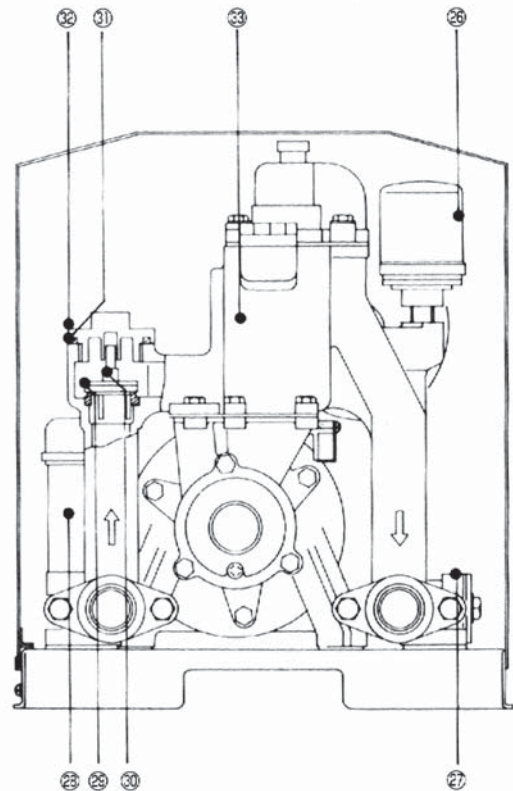
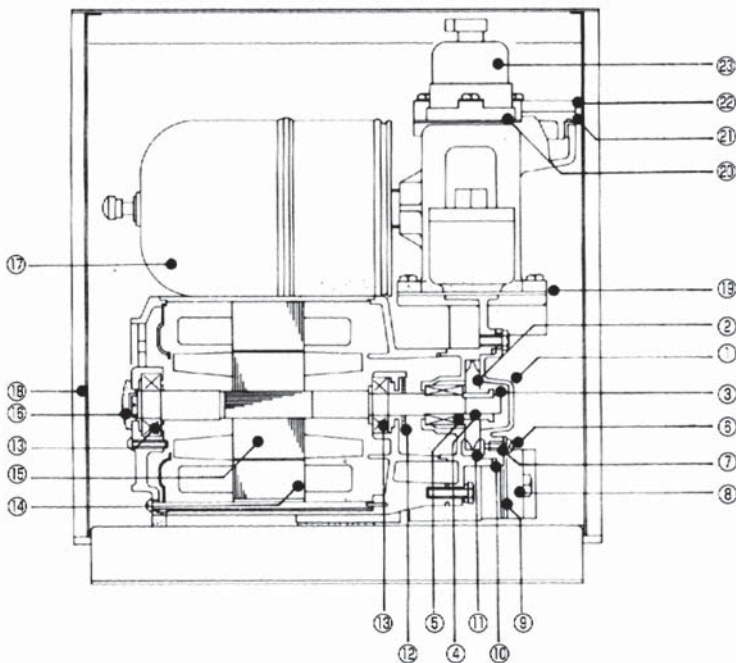


Water supply for cooling tower

OUTLINE



- | | |
|-----------------------|------------------------|
| ① Casing Cover | ②① Hopper O-ring |
| ② Impeller | ②② Hopper Plug |
| ③ Impeller Key | ②③ Flow Switch |
| ④ C-ring | ②④ Flange Plate |
| ⑤ Mechanical Seal | ②⑤ Electric Box |
| ⑥ Drain Plug | ②⑥ Pressure Switch |
| ⑦ Drain Packing | ②⑦ Discharge Pipe |
| ⑧ Flange | ②⑧ Condenser |
| ⑨ Flange Packing | ②⑨ Center Body Packing |
| ⑩ O-ring | ③⑩ Center Body |
| ⑪ Casing | ③⑪ Valve O-ring |
| ⑫ Splash Ring | ③⑫ Valve Plug |
| ⑬ Set Of Ball Bearing | ③⑬ Aux. Tank |
| ⑭ Stator Assembly | |
| ⑮ Rotor Assembly | |
| ⑯ Shaft Cover | |
| ⑰ Accumulator | |
| ⑱ Pump Cover | |
| ⑲ Casing Packing | |
| ⑳ Flow Switch Packing | |



* Dimensional details are provided for reference only.

* All specifications are subject to change without prior notice.



Sanso Electric Co., Ltd.

1-1, Aoyama-Kita, 1-Chome, Himeji-City,
671-2288, Japan
Tel : 81-79-266-1200 Fax : 81-79-266-1206
Email : sanso@sanso-elec.co.jp
URL : <http://www.sanso-elec.co.jp>

Agent in Malaysia :

PUMPERA Sdn Bhd

26 & 28, Jalan Kapar 27/89, Megah Industrial Park,
Seksyen 27, 40400 Shah Alam, Selangor Darul Ehsan.
Tel : 03 - 5192 2828 Fax : 03 - 5192 6822
Email : sales@pumpera.com.my
Website : www.pumpera.com.my

Distributed by :

