

SELF-PRIMING CENTRIFUGAL PUMP (FOR SEA WATER)

PSPZ

APPLICATIONS

- Circulations of sea water
- Culture tank
- Water tank etc.

CHARACTERISTICS

- Less noise
 - Maximum 15dB(A) less than conventional models
- High efficiency
 - Optimum design of motor and pump. Maximum 47% improved in pump efficiency and maximum 56% improved in consumption power.
- Long life and high reliability
- Totally enclosed fan cooling outdoor type motor
- Protection switch is equipped to motor not to burn
- 200w, 400w and 750w (25-40PSPZ)
- 1.5Kw and 2.2Kw (50-80PSPZ)



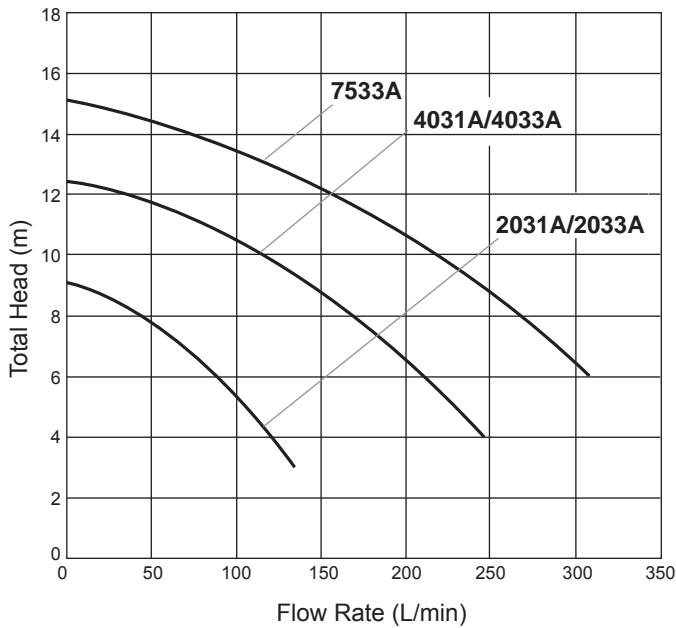
40PSPZ-7533



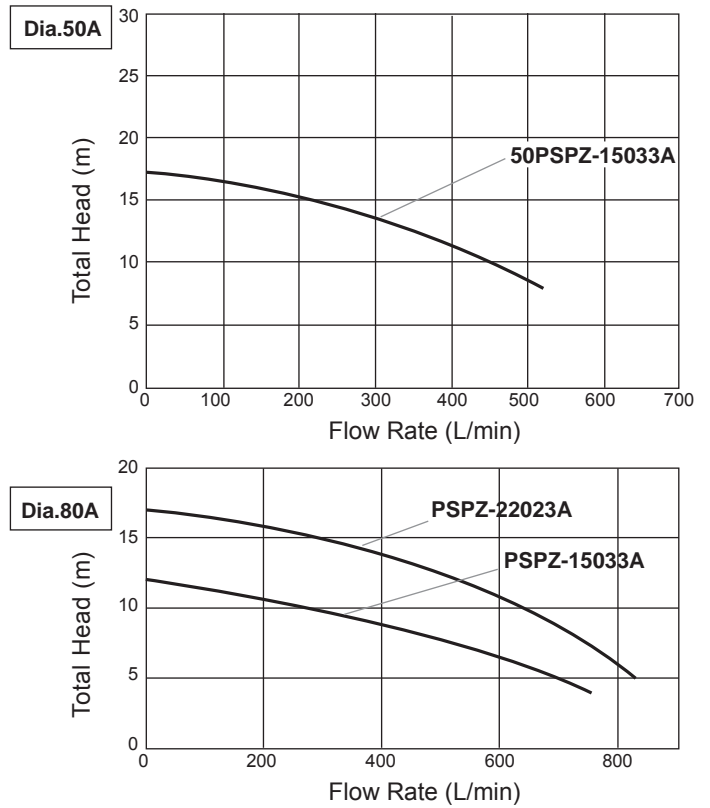
50PSPZ-15033

PERFORMANCE CURVE

25-40PSPZ



50-80PSPZ



SPECIFICATIONS

25-40PSPZ

Item / Model	Motor Rated Output	Rated Voltage	Diameter	Suction	Total Head	Flow Rate	Rated Consumption	Rated Current	Protector	Weight
	W	V	mm	m	m	L/min	W	A		kg
25PSPZ-2031A	250	240	25 (1B)	6.0	5 • 7	109 • 74	380	4.6	Manual	15.0
25PSPZ-2033A	250	415	25 (1B)	6.0	5 • 7	104 • 69	310	1.2	Manual	14.0
40PSPZ-4031A	400	240	40 (1½B)	6.5	7 • 9	185 • 141	580	6.0	Manual	16.0
40PSPZ-4033A	400	415	40 (1½B)	6.5	7 • 9	187 • 143	580	2.1	Manual	15.0
40PSPZ-7533A	750	415	40 (1½B)	6.5	8 • 12	268 • 160	900	3.5	Manual	17.0

Note (1) 240V for single phase, 415V for 3 phases ■ Liquid temperature is less than 40°C because of self-priming
 ■ Installation site : For outdoor use ■ Voltage can be adjusted to customer's requirement.

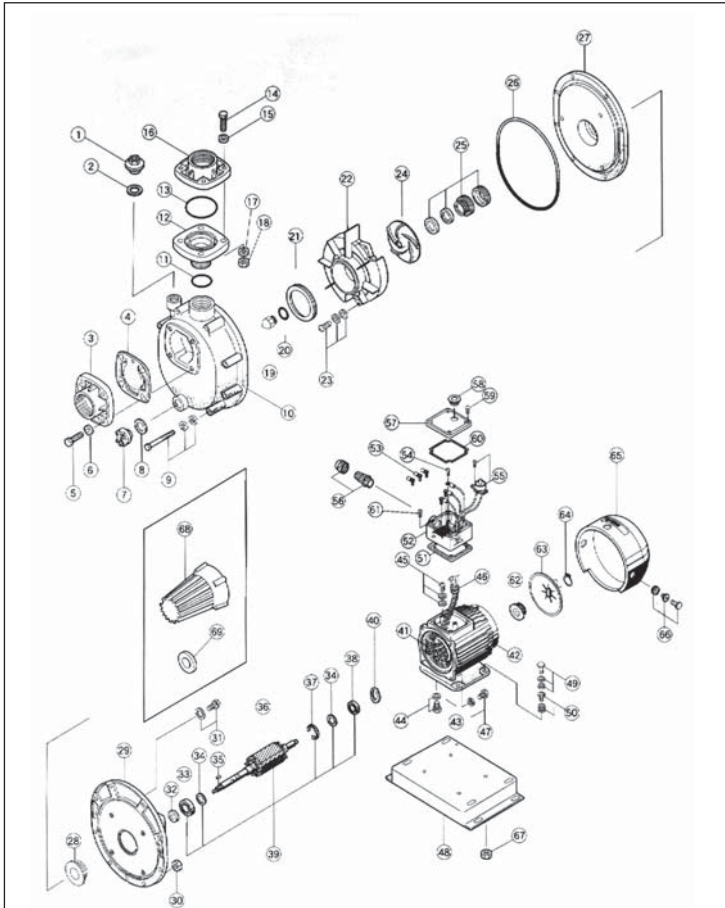
50-80PSPZ

Item / Model	Motor Rated Output	Rated Voltage	Diameter	Suction	Total Head	Flow Rate	Rated Consumption	Rated Current	Protector	Weight
	W	V	mm	m	m	L/min	W	A		kg
50PSPZ-15033A	1500	415	50 (2B)	6.5	14 • 16	287 • 168	1580	5.5	Manual	36.0
PSPZ-15023A	1500	415	80 (3B)	5	5 • 10	700 • 300	1800	6.5	Manual	35.0
PSPZ-22023A	2200	415	80 (3B)	5	7 • 10	800 • 650	2950	10.5	Manual	37.0

Note (1) 240V for single phase, 415V for 3 phases ■ Liquid temperature is less than 40°C because of self-priming
 ■ Installation site : For outdoor use ■ Voltage can be adjusted to customer's requirement.

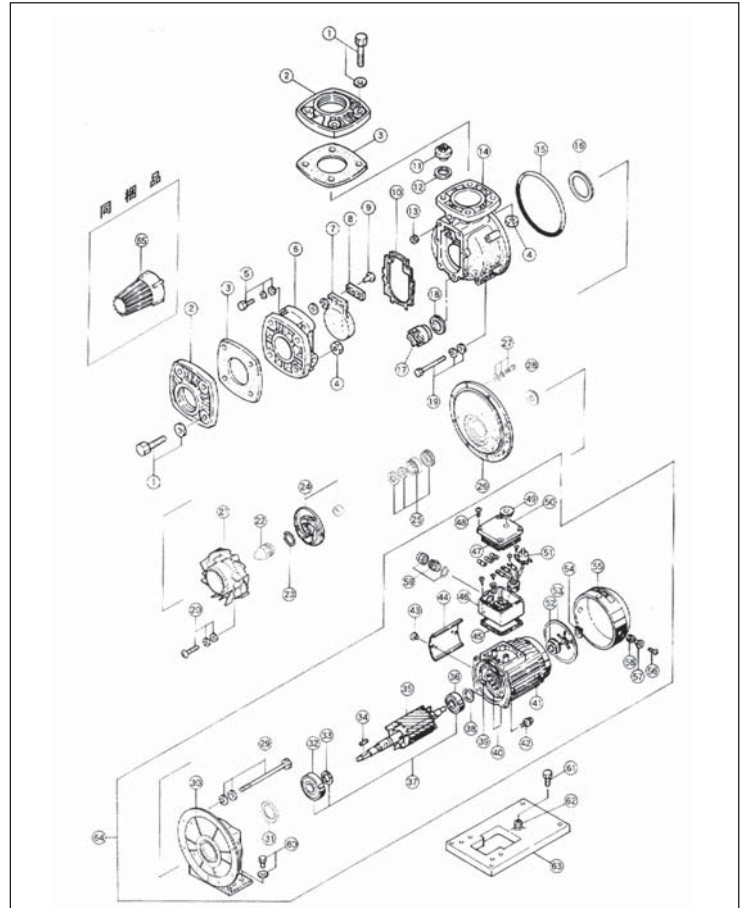
OUTLINE

40 PSPZ-7533



- | | |
|---------------------------|---|
| ① Bulb Plug | ③⑥ Rotor Assembly |
| ② O-ring (G-30) | ③⑦ E-ring |
| ③ Suction Flange | ③⑧ Ball Bearing (6203ddw) |
| ④ Check Valve Assembly | ③⑨ Rotor Assembly |
| ⑤ M10 Bolt Sus (M10x40) | ④⑩ Preload Spring |
| ⑥ M10 Washer | ④⑪ Stator |
| ⑦ Hopper Plug | ④⑫ case B |
| ⑧ Hopper O-ring | ④⑬ Case Assembly |
| ⑨ M6 Bolt (M6 X 95l) | ④⑭ M6 Bolt |
| ⑩ Casing | ④⑮ Cross Recesses Head Screw |
| ⑪ O-ring (G-50) | ④⑯ Cord Rush |
| ⑫ Outlet Flange | ④⑰ Cross Recesses Hexagonal Nut |
| ⑬ O-ring (P-55) | ④⑱ Base Assembly |
| ⑭ M10 Bolt (M10 X 45l) | ④⑲ M6 Bolt (M6x25l) |
| ⑮ M10 Washer | ④⑳ Anti-vibration Rubber Collar |
| ⑯ Outlet Pair Flange | ④㉑ Terminal Box Packing B Side |
| ⑰ M10 Washer | ④㉒ Terminal Box B |
| ⑱ M10 Nut | ④㉓ Terminal |
| ⑲ Nut For Fixing Impeller | ④㉔ Cross Recesses Head Crew (4p+10s 3p) |
| ⑳ O-ring (P-14) | ④㉕ Protector Assembly (Km-331) |
| ㉑ Mouth Packing | ④㉖ Anti-water Bush |
| ㉒ Inner Casing | ④㉗ Terminal Box A |
| ㉓ M5 Screw (M5+20l) | ④㉘ Reset Cover (Cr) |
| ㉔ Impeller Assembly | ④㉙ Cross Recesses Truss Head Screw |
| ㉕ Mechanical Seal | ④㉚ Terminal Box Packing A Side |
| ㉖ O-ring (G-200) | ④㉛ Cross Recesses Head Screw (4r+12s) |
| ㉗ Back Casing | ④㉜ Drip (Outer Fan Side) |
| ㉘ Drip | ④㉝ Outdoor Cooling Fan (Pp) |
| ㉙ Bracket A (Fc-18) | ④㉞ C-ring |
| ㉚ M6 Nut | ④㉟ Cover For Outdoor Cooling |
| ㉛ M5 Bolt | ④㊱ Cross Recesses Hexagonal Nut |
| ㉜ Oil Seal | ④㊲ M6 Hexagonal Nut |
| ㉝ Ball Bearing (6203ddw) | ④㊳ Strainer |
| ㉞ Thrust Washer | ④㊴ Washer |
| ㉟ Key | |

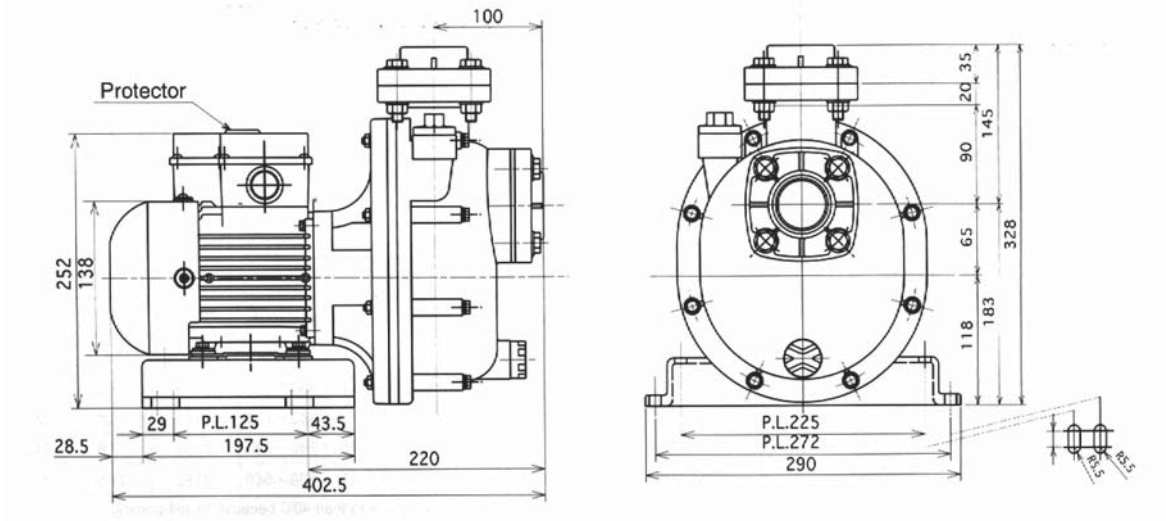
50 PSPZ-15033



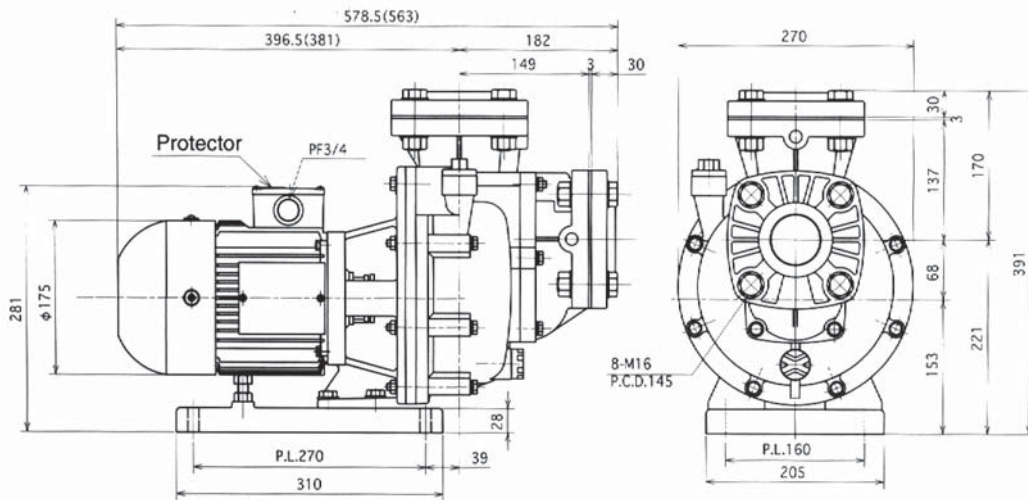
- | | |
|-----------------------------------|------------------------------------|
| ① Hexagonal | ③④ Key |
| ② Flange | ③⑤ Rotor Assembly |
| ③ Flange Packing | ③⑥ Ball Bearing |
| ④ Hexagonal Nut | ③⑦ Rotor Assembly |
| ⑤ Hexagonal Bolt (Suction Flange) | ③⑧ Preload Spring |
| ⑥ Suction Flange | ③⑨ Stator |
| ⑦ Check Valve Assembly | ③⑩ Case Assembly |
| ⑧ Press For Check Valve | ③⑪ Case B |
| ⑨ Cross Recesses Truss Head | ③⑫ Hexagonal Bolt |
| ⑩ Packing | ③⑬ Cross Recesses Truss Head |
| ⑪ Bulb Plug 20a | ③⑭ Plate For Fixing The Name Plate |
| ⑫ O-ring | ③⑮ Terminal Box Packing |
| ⑬ Hexagonal Nut (Casing) | ③⑯ Terminal Box |
| ⑭ Casing | ③⑰ Terminal Box Packing Cover |
| ⑮ O-ring | ③⑱ Cross Recesses Truss Head |
| ⑯ Mouth Packing | ③⑲ Reset Cover |
| ⑰ Hopper Plug | ③⑳ Terminal Box Cover |
| ⑱ Hopper O-ring | ③㉑ Protector |
| ⑲ Hexagonal Bolt (Casing) | ③㉒ Drip |
| ⑳ Cross Recesses Head Screw | ③㉓ Outdoor Cooling Fan |
| ㉑ Inner Casing | ③㉔ O-ring |
| ㉒ Nut For Fixing Impeller | ③㉕ Cover For Outdoor Cooling |
| ㉓ O-ring | ③㉖ Cross Recesses Hexagonal Nut |
| ㉔ Impeller Assembly | ③㉗ Anti-vibration Rubber Collar |
| ㉕ Mechanical Seal | ③㉘ Anti-vibration Rubber |
| ㉖ Back Casing | ③㉙ Anti-water Brush |
| ㉗ Hexagonal Bolt | ③㉚ Hexagonal Bolt |
| ㉘ Drip | ③㉛ Hexagonal Bolt |
| ㉙ Hexagonal Bolt | ③㉜ Hexagonal Nut |
| ㉚ Bracket A | ③㉝ Base |
| ㉛ Oil Seal | ③㉞ Complete Motor |
| ㉜ Ball Bearing | ③㉟ Strainer |
| ㉝ Thrust Washer | |

OUTLINE DIMENSION

PSPZ 200W - 400W - 750W



PSPZ 1.5kW - 2.2kW



* Dimensional details are provided for reference only.
 * All specifications are subject to change without prior notice.



Sanso Electric Co., Ltd.
 1-1, Aoyama-Kita, 1-Chome, Himeji-City,
 671-2288, Japan
 Tel : 81-79-266-1200 Fax : 81-79-266-1206
 Email : sanso@sanso-elec.co.jp
 URL : <http://www.sanso-elec.co.jp>

Agent in Malaysia :
PUMPERA Sdn Bhd
 26 & 28, Jalan Kapar 27/89, Megah Industrial Park,
 Seksyen 27, 40400 Shah Alam, Selangor Darul Ehsan.
 Tel : 03 - 5192 2828 Fax : 03 - 5192 6822
 Email : sales@pumpera.com.my
 Website : www.pumpera.com.my

Distributed by :

