

Electric Multistage Self Priming Pump

Type MH

APPLICATIONS

- Domestic
- Industrial
- Irrigation
- Hydropneumatic

TECHNICAL DATA

- High pressure up to 8.0 bar
- Capacity up to 170 l/min (10.2m³/h)
- Low noise design
- Low water residual
- Easy assemble
- Max suction lift : - 6m
- Low weight & compact design
- Liquid temperature : 0 to +40°C

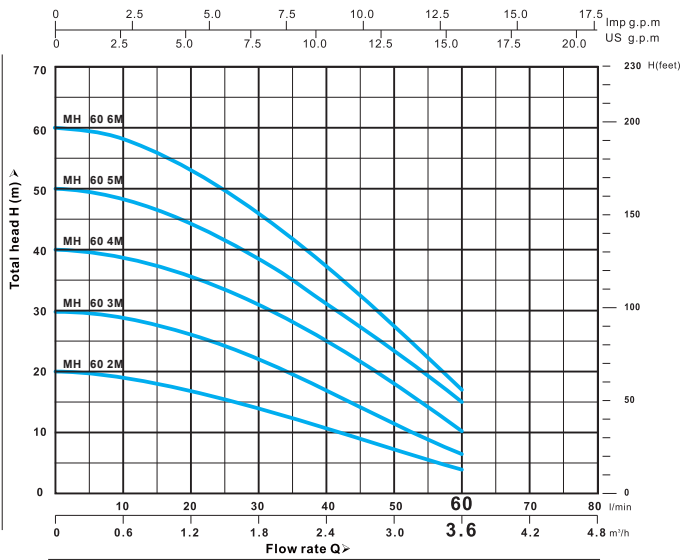
OPTIONAL

- Pump housing in AISI304 stainless steel
- Impellers in AISI304 stainless steel or PPO (Noyl®)
- Mechanical seal in graphite/silicon carbide or graphite/ceramic
- Voltages in Single phase : 220V-240V
Three phase : 220-240V / 380-415V
- Frequencies in 50Hz
- Suction and discharge mounting in cast iron or stainless steel.



PERFORMANCE CHART

60L/min

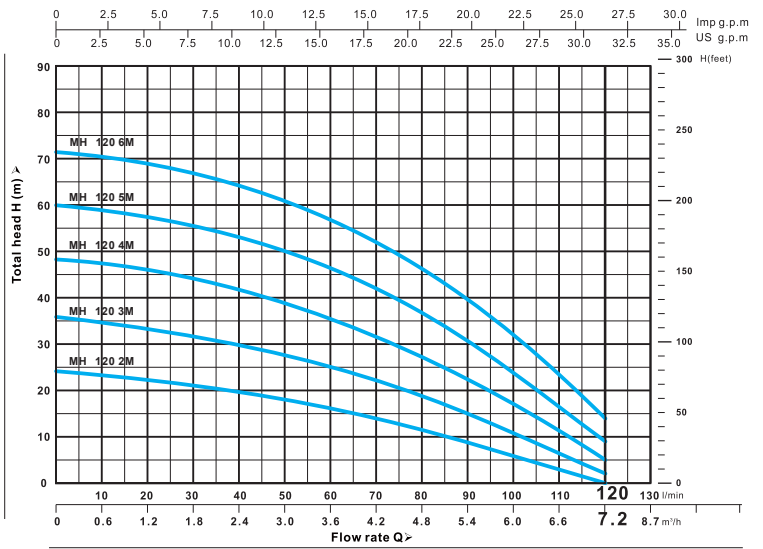


= 2850 min⁻¹

PUMP MODEL	INPUT		OUTPUT		Q m ³ /h	H (m)						
	KW	KW	HP	l/min		0	0.6	1.2	1.8	2.4	3.0	3.6
MH 60 2M	0.5	0.37	0.5	H (m)	0	0	10	20	30	40	50	60
MH 60 3M	0.65	0.5	0.65		20	19	17	14	11	7	4	
MH 60 4M	0.9	0.7	0.95		30	29	26	22	17	12	7	
MH 60 5M	1.1	0.85	1.15		40	39	35	31	25	18	10	
MH 60 6M	1.3	1.0	1.3		50	48	44	38	31	24	15	
				60	58	53	46	37	28	17		

Q=FLOW RATE H=TOTAL DYNAMIC HEAD IN METERS

120L/min

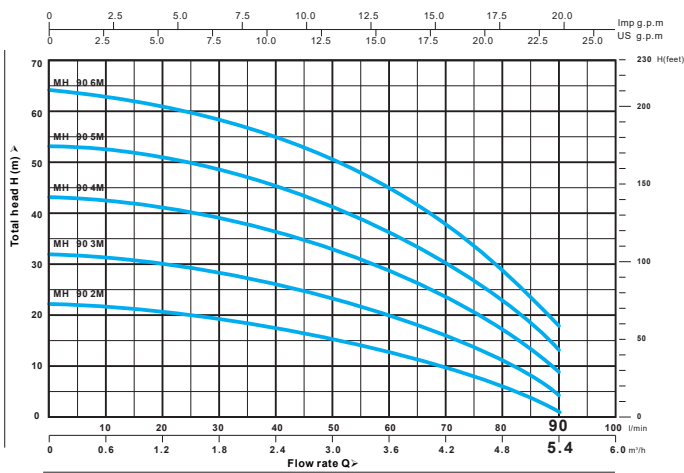


= 2850 min⁻¹

PUMP MODEL	INPUT		OUTPUT		Q m ³ /h	H (m)						
	KW	KW	HP	l/min		0	1.2	2.4	3.6	4.8	6.0	7.2
MH 120 2M	0.7	0.55	0.75	H (m)	0	0	20	40	60	80	100	120
MH 120 3M	1.0	0.75	1.0		24	22	20	17	12	6	0	
MH 120 4M	1.3	1.0	1.3		36	33	30	25	18	11	2	
MH 120 5M	1.65	1.3	1.65		48	46	42	35	27	17	6	
MH 120 6M	2.0	1.5	2.0		60	58	53	46	37	24	10	
				72	69	64	57	46	32	14		

Q=FLOW RATE H=TOTAL DYNAMIC HEAD IN METERS

90L/min

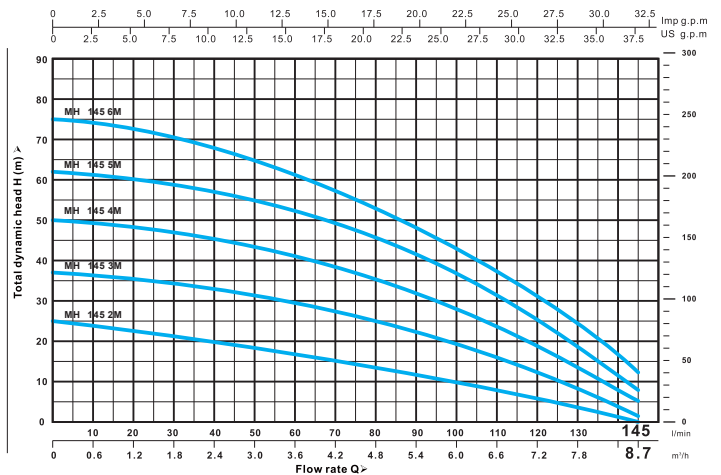


= 2850 min⁻¹

PUMP MODEL	INPUT		OUTPUT		Q m ³ /h	H (m)									
	KW	KW	HP	l/min		0	0.6	1.2	1.8	2.4	3.0	3.6	4.2	4.8	5.4
MH 90 2M	0.6	0.45	0.6	H (m)	0	0	10	20	30	40	50	60	70	80	90
MH 90 3M	0.9	0.75	0.95		22	21	20	19	17	15	13	10	6	2	
MH 90 4M	1.1	0.85	1.15		32	31	30	28	26	23	20	16	11	4	
MH 90 5M	1.35	1.05	1.4		43	42	41	39	36	33	29	24	17	9	
MH 90 6M	1.65	1.3	1.65		53	52	51	49	45	41	36	30	23	13	
				64	62	61	58	55	50	45	37	28	17		

Q=FLOW RATE H=TOTAL DYNAMIC HEAD IN METERS

145L/min

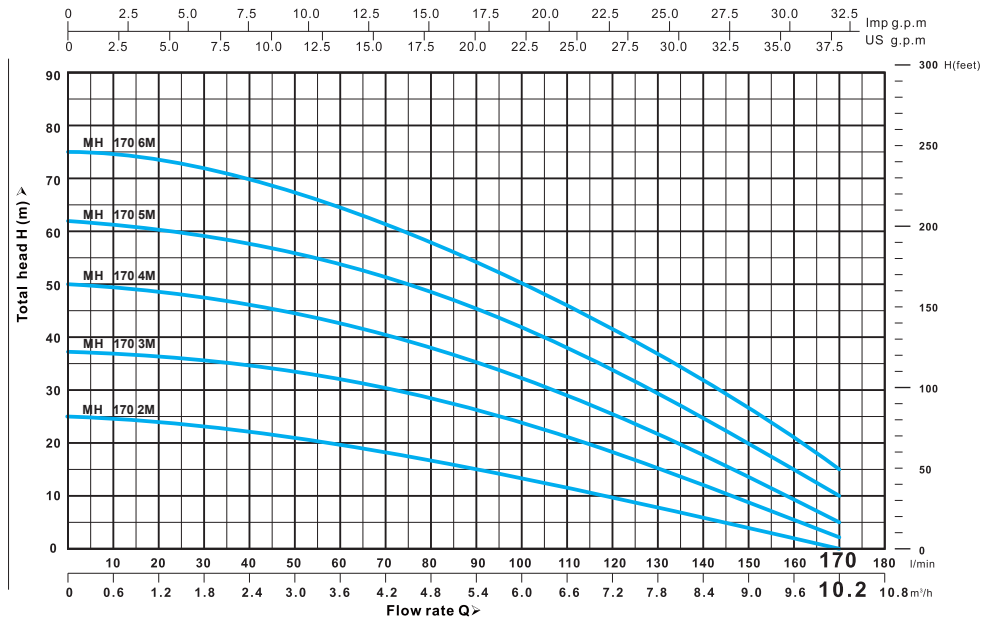


= 2850 min⁻¹

PUMP MODEL	INPUT		OUTPUT		Q m ³ /h	H (m)								
	KW	KW	HP	l/min		0	1.2	2.4	3.6	4.8	6.0	7.2	7.8	8.7
MH 145 2M	0.90	0.7	0.95	H (m)	0	0	20	40	60	80	100	120	130	145
MH 145 3M	1.25	0.95	1.25		25	23	20	17	14	10	6	4	0	
MH 145 4M	1.65	1.3	1.65		37	35	33	30	25	19	13	8	2	
MH 145 5M	2.0	1.5	2.0		50	48	45	41	35	28	18	14	5	
MH 145 6M	2.4	1.85	2.5		62	60	57	52	46	37	25	19	7	
				75	73	68	62	53	43	31	25	12		

Q=FLOW RATE H=TOTAL DYNAMIC HEAD IN METERS

170L/min

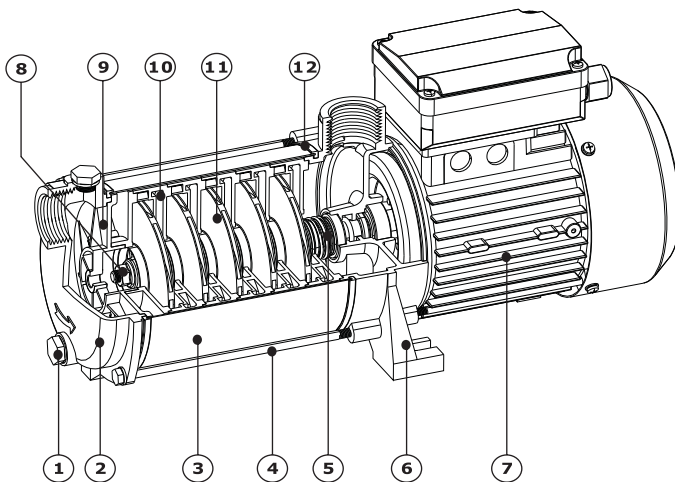


= 2850 min⁻¹

PUMP MODEL	INPUT		OUTPUT		Q m ³ /h	H (m)											
	KW	KW	HP	HP		0	1.2	2.4	3.6	4.8	6.0	7.2	8.4	9.6	10.2		
MH 170 2M	1.0	0.75	1.0		0	25	24	23	20	17	13	10	6	2	0		
MH 170 3M	1.4	1.1	1.45		1.2	37	36	35	32	28	23	18	12	6	2		
MH 170 4M	1.8	1.4	1.85		2.4	50	49	46	43	38	32	25	17	9	5		
MH 170 5M	2.2	1.65	2.2		3.6	62	60	58	54	48	42	34	25	15	10		
MH 170 6M	2.8	2.1	2.8		4.8	75	73	70	65	58	50	42	32	21	15		

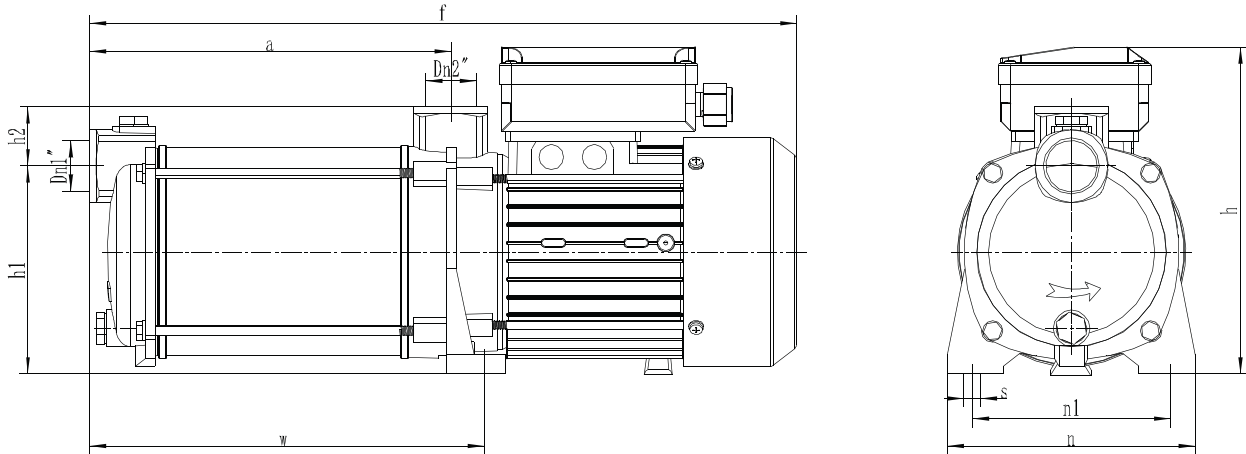
Q=FLOW RATE H=TOTAL DYNAMIC HEAD IN METERS

SECTIONAL VIEW



Item	Description
1	Prime and drain plugs
2	Suction mounting
3	Pump housing
4	Tie bolt
5	Mechanical seal
6	Discharge mounting
7	Motor
8	Nut
9	Self-priming cover
10	Diffuser
11	Impeller
12	Casing O-ring

DIMENSION



PUMP MODEL	Dn1	Dn2	DIMENSION [mm]								
			a	f	h	h1	h2	n	n1	w	s
MH60 2M	1"	1"	146	334.5	192	122	32.5	150	120	164	10
MH60 3M	1"	1"	170.5	359	192	122	32.5	150	120	188.5	10
MH60 4M	1"	1"	194.5	407.5	204	126	36.5	150	120	214.5	10
MH60 5M	1"	1"	219	432	204	126	36.5	150	120	239	10
MH60 6M	1"	1"	243.5	456.5	204	126	36.5	150	120	263.5	10
MH90 2M	1"	1"	146	334.5	192	122	32.5	150	120	164	10
MH90 3M	1"	1"	170	383	204	126	36.5	150	120	190	10
MH90 4M	1"	1"	194.5	407.5	204	126	36.5	150	120	214.5	10
MH90 5M	1"	1"	219	432	204	126	36.5	150	120	239	10
MH90 6M	1"	1"	243.5	476.5	204	126	36.5	150	120	263.5	10
MH120 2M	1.25"	1"	145.5	358.5	204	126	36.5	150	120	165.5	10
MH120 3M	1.25"	1"	170	383	204	126	36.5	150	120	190	10
MH120 4M	1.25"	1"	194.5	407.5	204	126	36.5	150	120	214.5	10
MH120 5M	1.25"	1"	219	462	204	126	36.5	150	120	239	10
MH120 6M	1.25"	1"	246.5	484.5	234	142	41.5	169	130	278.5	12
MH145 2M	1.25"	1"	145.5	358.5	204	126	36.5	150	120	165.5	10
MH145 3M	1.25"	1"	170	383	204	126	36.5	150	120	190	10
MH145 4M	1.25"	1"	194.5	437.5	204	126	36.5	150	120	214.5	10
MH145 5M	1.25"	1"	222	460	234	142	41.5	169	130	254	12
MH145 6M	1.25"	1"	246.5	519	251	148.5	54.5	179	130	278.5	12
MH170 2M	1.25"	1.25"	149	363	204	126	36.5	150	120	170	10
MH170 3M	1.25"	1.25"	173.5	387.5	204	126	36.5	150	120	194.5	10
MH170 4M	1.25"	1.25"	197.5	435.5	234	142	41.5	169	130	229.5	12
MH170 5M	1.25"	1.25"	222	460	234	142	41.5	169	130	254	12
MH170 6M	1.25"	1.25"	247.5	524	251	148.5	54.5	179	130	279.5	12

Model designation :

MH: multi-stage, suction and discharge mounting in Cast Iron.

MHS : multi-stage, suction and discharge mounting in Stainless Steel.

* Dimensional details are provided for reference only.

* All specifications are subject to change without prior notice.

Agent :

PUMPERA Sdn Bhd

26 & 28, Jalan Kapar 27/89, Megah Industrial Park,
Seksyen 27, 40400 Shah Alam, Selangor, Malaysia.

Tel : 03-5192 2828 Fax : 03-5192 6822

Email : sales@pumpera.com.my

Website : www.pumpera.com.my



Manufacturer :

WENDY Electrical Machinery Co., Ltd