

SPO

Swimming Pool Pump

APPLICATIONS:

Recycling of water from pools.

Quiet running single-stage centrifugal pumps, complete with prefilter.

PUMP

- **Delivery** up to 205 L/min(12m³/h).
- **Head** up to 15m.
- **Temperature** of pumped liquid: 0-40° C.
- Maximum operating **pressure**: 2 bar.

MOTOR

- Asynchronous, two poles.
- **Protection class**: IPX5 .
- Class F insulation.
- Continuous operation.
- **Single phase** version 220-240V 50Hz with automatic reset overload protection.
- Maximum ambient **temperature** 40° C

MATERIALS

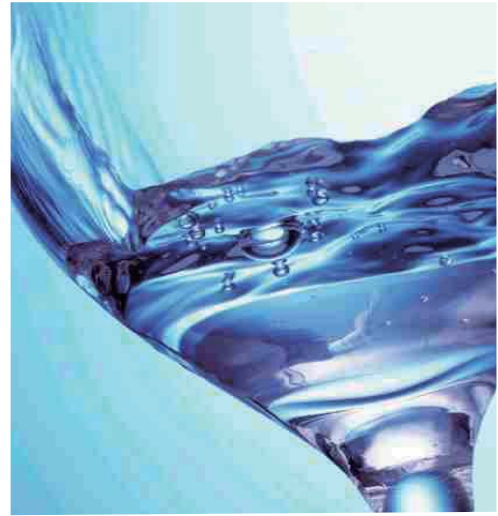
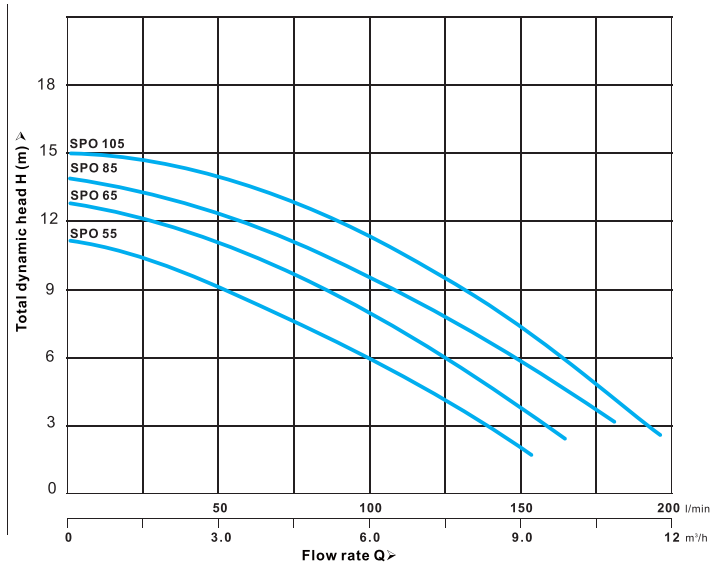
- **Pump housing** in PPG30
- **Impellers and Diffuser** in PPO(Noryl).
- **Motor shaft** Complete in AISI 416 stainless steel (Aisi 316 Stainless steel are availability).
- **Mechanical seal** with Ceramic/graphite or graphite/silicon carbide NBR elastomers, other parts are made of AISI304 stainless steel.
- **O-ring** made of NBR (EPDM are availability).

OPTIONAL FEATURES

- Different voltages and frequencies.
- Different materials for the mechanical seal.



PERFORMANCE CHART AT n= 2850 min⁻¹

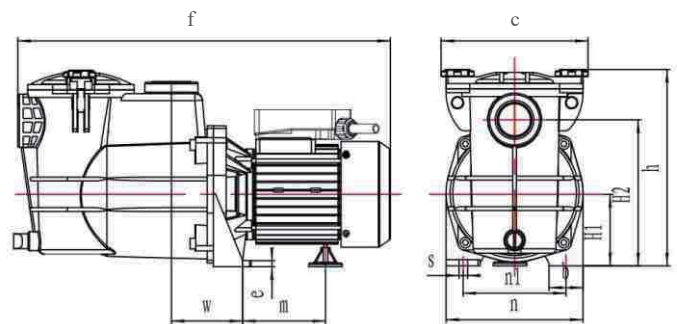


PERFORMANCE DATA AT n= 2850 min⁻¹

PUMP MODEL	INPUT POWER		Max. Flow	Max. Head
	KW	HP	l/min	M
SPO 55	0.65	0.87	160	11.5
SPO 65	0.85	1.13	175	13.0
SPO 85	1.00	1.33	190	14.0
SPO 105	1.20	1.60	205	15.0

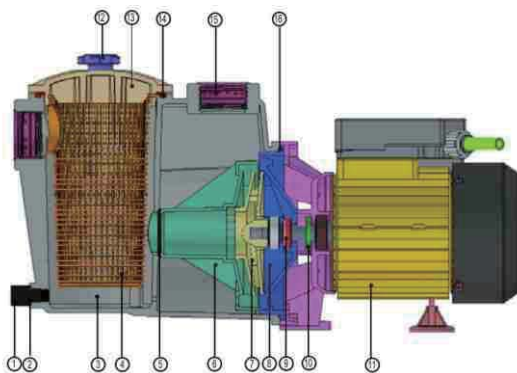
Q=FLOW RATE H=TOTAL DYNAMIC HEAD IN METERS

Curve tolerance according to ISO 2548



DIMENSION

PUMP MODEL	Dn ₁	Dn ₂	DIMENSION [mm]											
			f	h	H2	H1	c	m	n	n1	w	b	e	s
SPO 55	1.5"	1.5"	490	258	192	95	193	109	180	136	94	45	8	9
SPO 65														
SPO 85														
SPO 105														



Item	Description	Material
1	Pump drain plug	PPGF30
2	Pump drain plug gasket	NBR
3	Pump housing	PPGF30
4	Filter basket	PP
5	Diffuser gasket	NBR
6	Diffuser	PPOGF30
7	Impeller	PPOGF30
8	Intermediate housing	PPOGF30
9	Mechanical seal	Graphite-Ceramic-NBR
10	Drip washer	NBR
11	Motor	Class F, IPX5
12	Filter thumb nut	Copper - ABSGF25
13	Filter cover	AS
14	Filter cover gasket	EPDM
15	Lid	PE
16	Intermediate housing gasket	Silica Gel

* Dimensional details are provided for reference only.

* All specifications are subject to change without prior notice.

Agent :

PUMPERA Sdn Bhd

26 & 28, Jalan Kapar 27/89, Megah Industrial Park,
Seksyen 27, 40400 Shah Alam, Selangor, Malaysia.

Tel : 03-5192 2828 Fax : 03-5192 6822

Email : sales@pumpera.com.my

Website : www.pumpera.com.my



Approval No. 0049933

Manufacturer :

WENDY Electrical Machinery Co., Ltd