



Electric Multistage Self Priming Pump

Type MHS

APPLICATIONS

- Domestic
- Industrial
- Irrigation
- Hydropneumatic

TECHNICAL DATA

- High pressure up to 8.0 bar
- Capacity up to 170 l/min (10.2m³/h)
- Low noise design
- Low water residual
- Easy assemble
- Max suction lift : - 6m
- Low weight & compact design
- Liquid temperature : 0 to +40°C

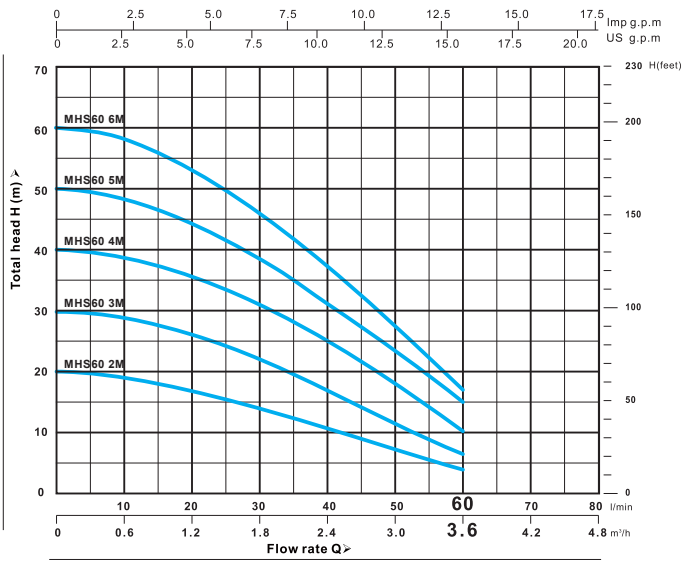
OPTIONAL

- Pump body in AISI304 stainless steel
- Impellers in AISI304 stainless steel or PPO (Noyl®)
- Mechanical seal in graphite/silicon carbide or graphite/ceramic
- Voltages in Single phase : 220V-240V
Three phase : 220-240V / 380-415V
- Frequencies in 50Hz



PERFORMANCE CHART

60L/min

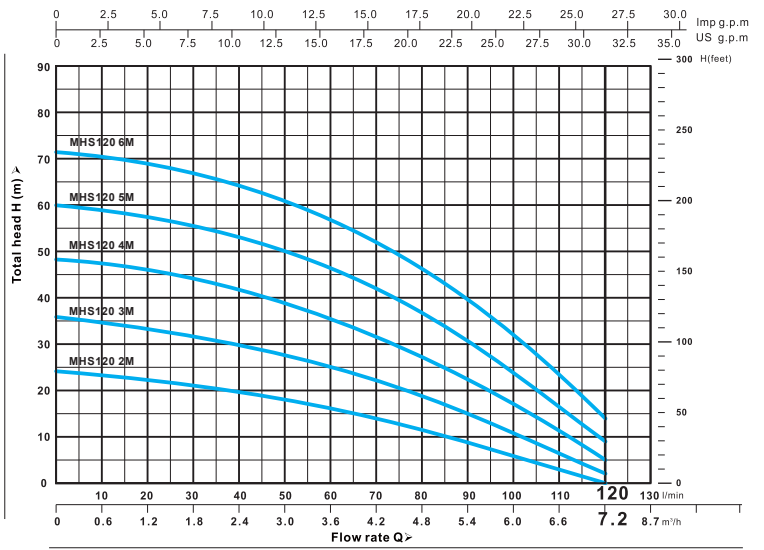


= 2850 min⁻¹

PUMP MODEL	INPUT			OUTPUT			Q m³/h	H (m)						
	KW	KW	HP	0	0.6	1.2		1.8	2.4	3.0	3.6			
MHS60 2M	0.5	0.37	0.5	20	19	17	14	11	7	4				
MHS60 3M	0.65	0.5	0.65	30	29	26	22	17	12	7				
MHS60 4M	0.9	0.7	0.95	40	39	35	31	25	18	10				
MHS60 5M	1.1	0.85	1.15	50	48	44	38	31	24	15				
MHS60 6M	1.3	1.0	1.3	60	58	53	46	37	28	17				

Q=FLOW RATE H=TOTAL DYNAMIC HEAD IN METERS

120L/min

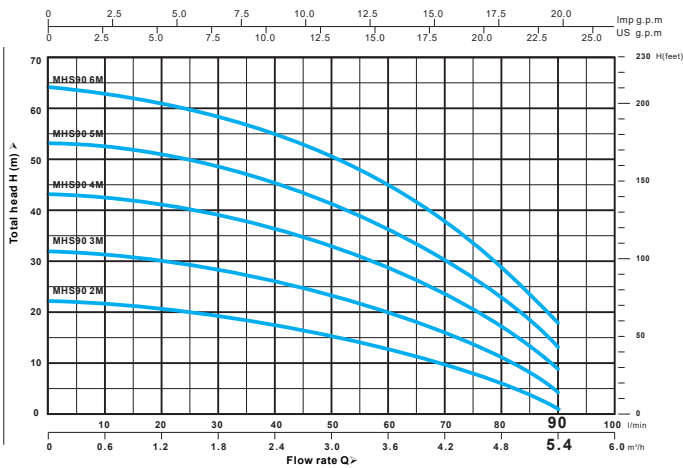


= 2850 min⁻¹

PUMP MODEL	INPUT			OUTPUT			Q m³/h	H (m)						
	KW	KW	HP	0	1.2	2.4		3.6	4.8	6.0	7.2			
MHS120 2M	0.7	0.55	0.75	24	22	20	17	12	6	0				
MHS120 3M	1.0	0.75	1.0	36	33	30	25	18	11	2				
MHS120 4M	1.3	1.0	1.3	48	46	42	35	27	17	6				
MHS120 5M	1.65	1.3	1.65	60	58	53	46	37	24	10				
MHS120 6M	2.0	1.5	2.0	72	69	64	57	46	32	14				

Q=FLOW RATE H=TOTAL DYNAMIC HEAD IN METERS

90L/min

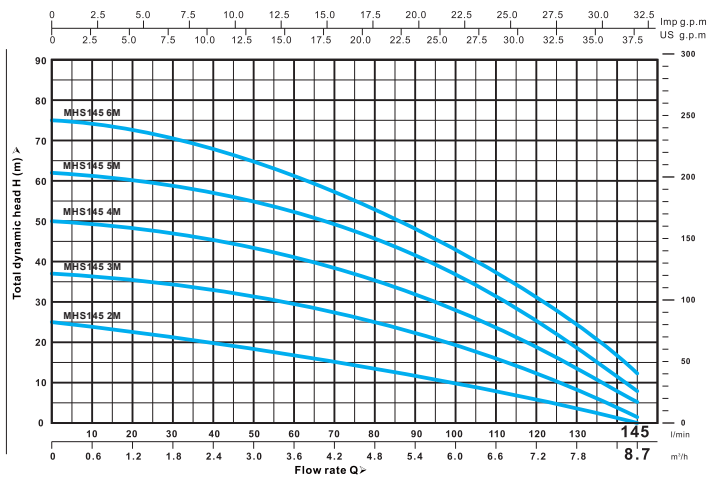


= 2850 min⁻¹

PUMP MODEL	INPUT			OUTPUT			Q m³/h	H (m)									
	KW	KW	HP	0	0.6	1.2		1.8	2.4	3.0	3.6	4.2	4.8	5.4			
MHS90 2M	0.6	0.45	0.6	22	21	20	19	17	15	13	10	6	2				
MHS90 3M	0.9	0.75	0.95	32	31	30	28	26	23	20	16	11	4				
MHS90 4M	1.1	0.85	1.15	43	42	41	39	36	33	29	24	17	9				
MHS90 5M	1.35	1.05	1.4	53	52	51	49	45	41	36	30	23	13				
MHS90 6M	1.65	1.3	1.65	64	62	61	58	55	50	45	37	28	17				

Q=FLOW RATE H=TOTAL DYNAMIC HEAD IN METERS

145L/min

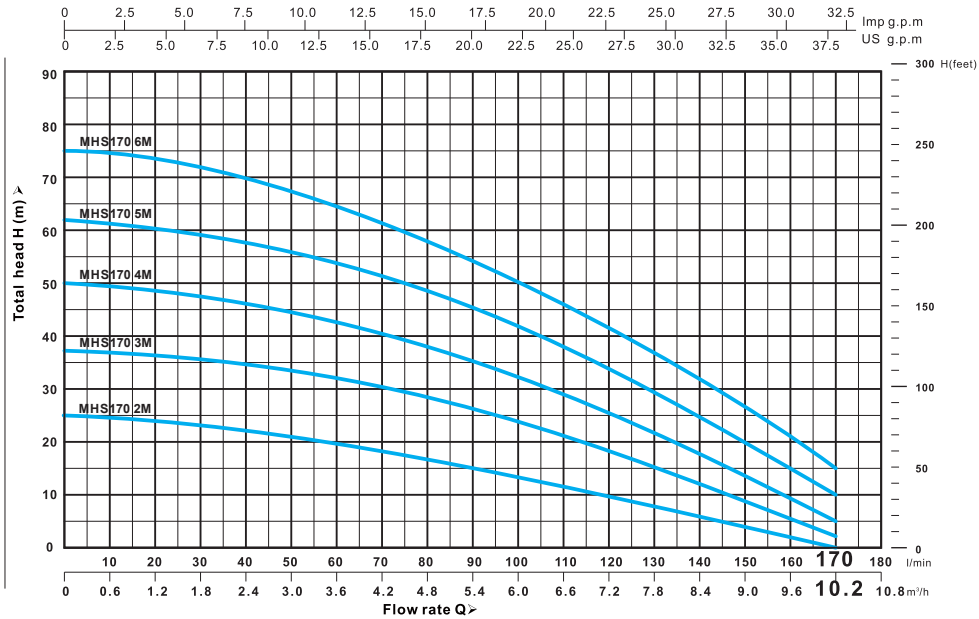


= 2850 min⁻¹

PUMP MODEL	INPUT			OUTPUT			Q m³/h	H (m)									
	KW	KW	HP	0	1.2	2.4		3.6	4.8	6.0	7.2	7.8	8.7				
MHS145 2M	0.90	0.7	0.95	25	23	20	17	14	10	6	4	0					
MHS145 3M	1.25	0.95	1.25	37	35	33	30	25	19	13	8	2					
MHS145 4M	1.65	1.3	1.65	50	48	45	41	35	28	18	14	5					
MHS145 5M	2.0	1.5	2.0	62	60	57	52	46	37	25	19	7					
MHS145 6M	2.4	1.85	2.5	75	73	68	62	53	43	31	25	12					

Q=FLOW RATE H=TOTAL DYNAMIC HEAD IN METERS

170L/min

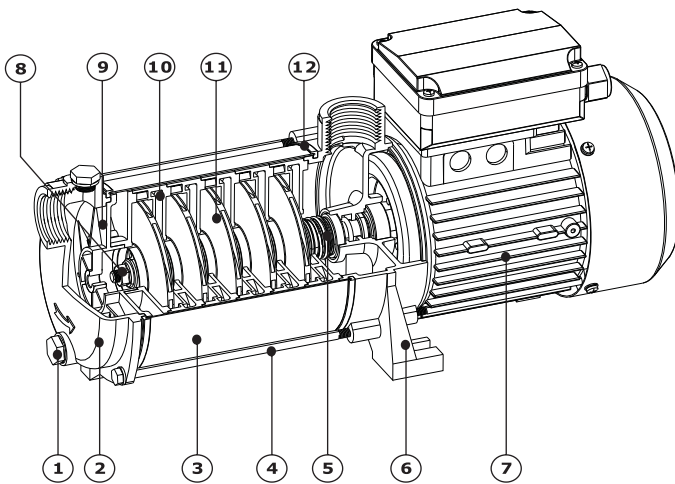


= 2850 min⁻¹

PUMP MODEL	INPUT		OUTPUT		Q m ³ /h	H (m)										
	KW	KW	HP	l/min		0	1.2	2.4	3.6	4.8	6.0	7.2	8.4	9.6	10.2	
MHS170 2M	1.0	0.75	1.0		0	25	24	23	20	17	13	10	6	2	0	
MHS170 3M	1.4	1.1	1.45		1.2	37	36	35	32	28	23	18	12	6	2	
MHS170 4M	1.8	1.4	1.85		2.4	50	49	46	43	38	32	25	17	9	5	
MHS170 5M	2.2	1.65	2.2		3.6	62	60	58	54	48	42	34	25	15	10	
MHS170 6M	2.8	2.1	2.8		4.8	75	73	70	65	58	50	42	32	21	15	

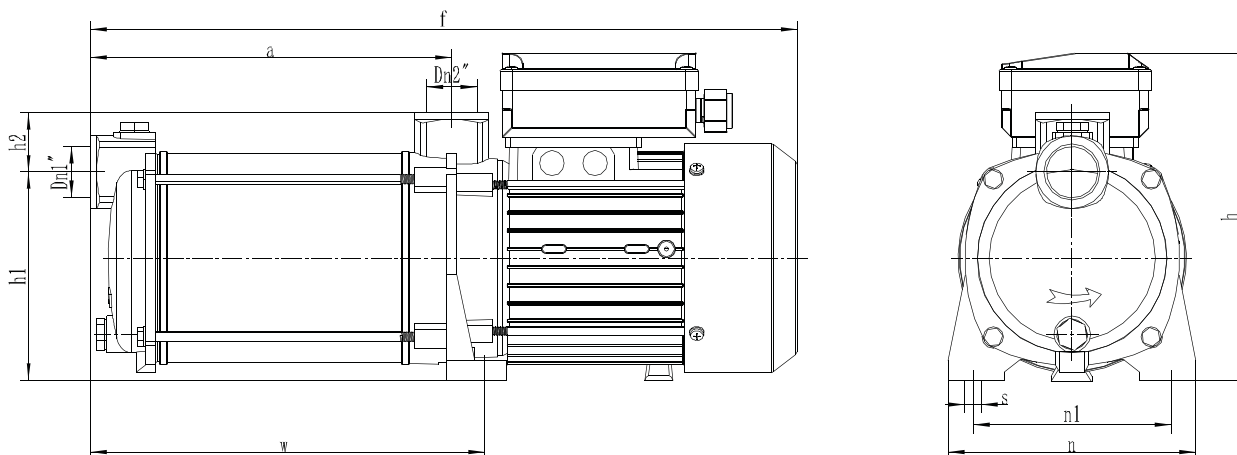
Q=FLOW RATE H=TOTAL DYNAMIC HEAD IN METERS

SECTIONAL VIEW



Item	Description
1	Prime and drain plugs
2	Suction mounting
3	Pump housing
4	Tie bolt
5	Mechanical seal
6	Discharge mounting
7	Motor
8	Nut
9	Cover
10	Diffuser
11	Impeller
12	Casing O-ring

DIMENSION



PUMP MODEL	Dn ₁	Dn ₂	DIMENSION [mm]								
			a	f	h	h ₁	h ₂	n	n ₁	w	s
MH60 2M	1"	1"	146	334.5	192	122	32.5	150	120	164	10
MH60 3M	1"	1"	170.5	359	192	122	32.5	150	120	188.5	10
MH60 4M	1"	1"	194.5	407.5	204	126	36.5	150	120	214.5	10
MH60 5M	1"	1"	219	432	204	126	36.5	150	120	239	10
MH60 6M	1"	1"	243.5	456.5	204	126	36.5	150	120	263.5	10
MH90 2M	1"	1"	146	334.5	192	122	32.5	150	120	164	10
MH90 3M	1"	1"	170	383	204	126	36.5	150	120	190	10
MH90 4M	1"	1"	194.5	407.5	204	126	36.5	150	120	214.5	10
MH90 5M	1"	1"	219	432	204	126	36.5	150	120	239	10
MH90 6M	1"	1"	243.5	476.5	204	126	36.5	150	120	263.5	10
MH120 2M	1.25"	1"	145.5	358.5	204	126	36.5	150	120	165.5	10
MH120 3M	1.25"	1"	170	383	204	126	36.5	150	120	190	10
MH120 4M	1.25"	1"	194.5	407.5	204	126	36.5	150	120	214.5	10
MH120 5M	1.25"	1"	219	462	204	126	36.5	150	120	239	10
MH120 6M	1.25"	1"	246.5	484.5	234	142	41.5	169	130	278.5	12
MH145 2M	1.25"	1"	145.5	358.5	204	126	36.5	150	120	165.5	10
MH145 3M	1.25"	1"	170	383	204	126	36.5	150	120	190	10
MH145 4M	1.25"	1"	194.5	437.5	204	126	36.5	150	120	214.5	10
MH145 5M	1.25"	1"	222	460	234	142	41.5	169	130	254	12
MH145 6M	1.25"	1"	246.5	519	251	148.5	54.5	179	130	278.5	12
MH170 2M	1.25"	1.25"	149	363	204	126	36.5	150	120	170	10
MH170 3M	1.25"	1.25"	173.5	387.5	204	126	36.5	150	120	194.5	10
MH170 4M	1.25"	1.25"	197.5	435.5	234	142	41.5	169	130	229.5	12
MH170 5M	1.25"	1.25"	222	460	234	142	41.5	169	130	254	12
MH170 6M	1.25"	1.25"	247.5	524	251	148.5	54.5	179	130	279.5	12

* Dimensional details are provided for reference only.

* All specifications are subject to change without prior notice.



EBARA Pumps Malaysia Sdn Bhd

6, Jalan TP3, UEP Subang Jaya Industrial Park,
47620 Subang Jaya, Selangor, Malaysia.

Tel : 03-8023 6622 Fax : 03-8023 9355

Email : sales@ebara.com.my

Website : www.ebara.com.my



Approval No. 0048594
Approval No. 0049022

Authorised dealer: